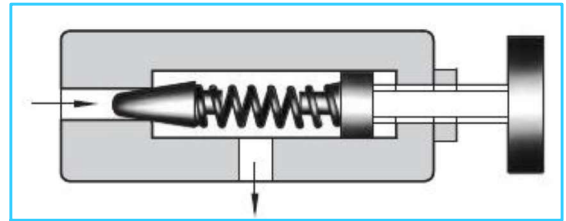
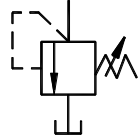


Remote Control Relief Valves

This valve is used as a remote control valve for pilot operated type pressure control valves.



Graphic Symbol



Specifications

Model Number		Max. Operating Pressure Kg/cm ²	Max. Flow L/min.	Mass Kg.	
Threaded Connection	Sub-Plate Mounting			YBT Type	YBG Type
YBT-01-※-250-1080	YBG-01-※-250-1080	250	4	1.6	1.4

Model Number Designation

F-	YB	T	-01	-F	-250	-10	80
Special Seals	Series Number	Type of Mounting	Valve Size	Panel Mounting	Max. Operating Pressure Kg/cm ²	Design Number	Design Standards
F: Special Seals for Phosphate Ester Type Fluids. (Omit if not required)	YB: Remote Control Relief Valves	T: Threaded Connection	01	F: Panel Mounting (Omit if not Required)	250	10	80
		G: Sub-Plate Mounting		---			

Instructions

- To adjust the pressure, loosen the lock nut and turn the handle slowly clockwise for higher pressure or anti-clockwise for lower pressures. After adjustments, do not forget to tighten the lock nut.
- Piping of the tank line should not be connected to any tank line of the other valves, but connected directly to the tank.

Attachment

- Mounting Bolts

Valve Model	Socket Head Cap Screw	Qty.	Bolt Kit Ordering Code
YBG-01	M8 x 30Lg.	4	BKYBG-01-10

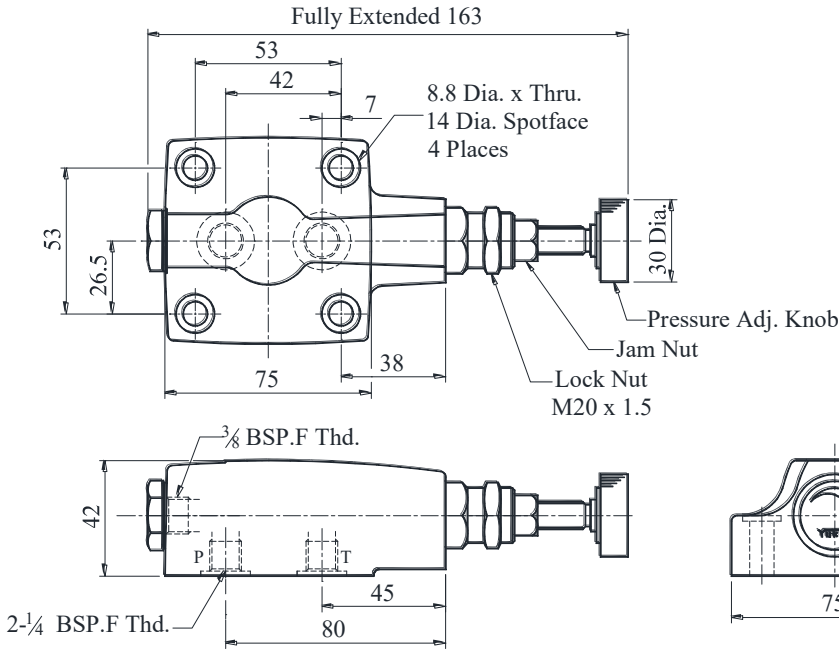
Sub-plate

Valves Model Number	Sub – Plate Model Number	Thread Size	Mass Kg.
YBG-01	YBGM-01-1080	1/4 BSP.F	0.7

- Sub-plates are available, specify sub-plate model number from the table above. When sub-plates are not used the mounting surface should have a good machined finish.

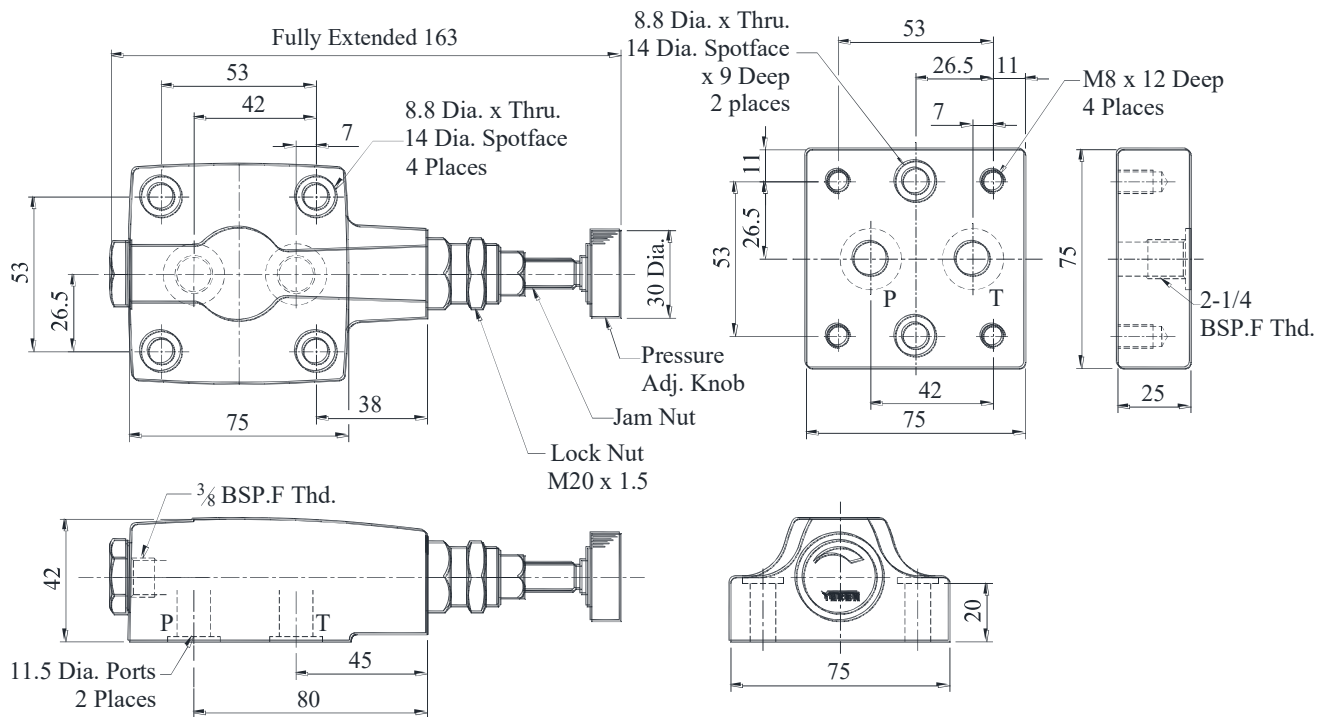
• **YBT-01-※-250-1080**

DIMENSIONS IN MILLIMETRES

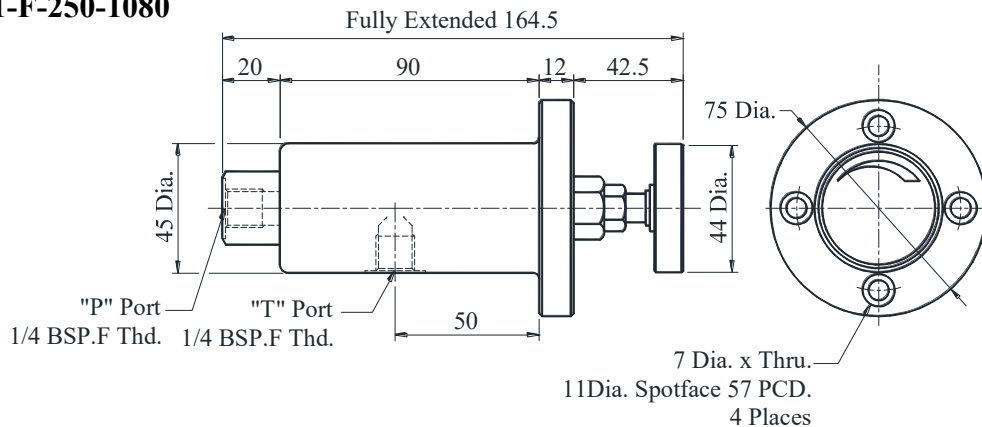


• **YBG-01-250-1080**

• **Sub-Plate: YBGM-01-1080**



• **YBT-01-F-250-1080**



Remote Control Relief Valves