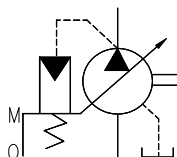


**□ PVV-10 SERIES:**

These are variable displacement single vane pumps. As soon as the system pressure reaches set pressure, delivery flow Cut-Off, leads to good power saving. PVV-10 series pump is widely used in machine tools.

Graphic Symbol



**□ SPECIFICATIONS:**

Model Number	Geometric Displacement cm <sup>3</sup> /rev.	Pressure Adj. Range Kgf/cm <sup>2</sup>	Shaft Speed r/min.		Max. Setting Pressure Kgf/cm <sup>2</sup>	Mass (Approx.) Kg.
			Min.	Max.		
PVV-10-F-※-R-1080	8.0	10~20	800	1800	20	6.5
		15~35			35	
		30~70			70	

**□ MODEL NUMBER DESIGNATION:**

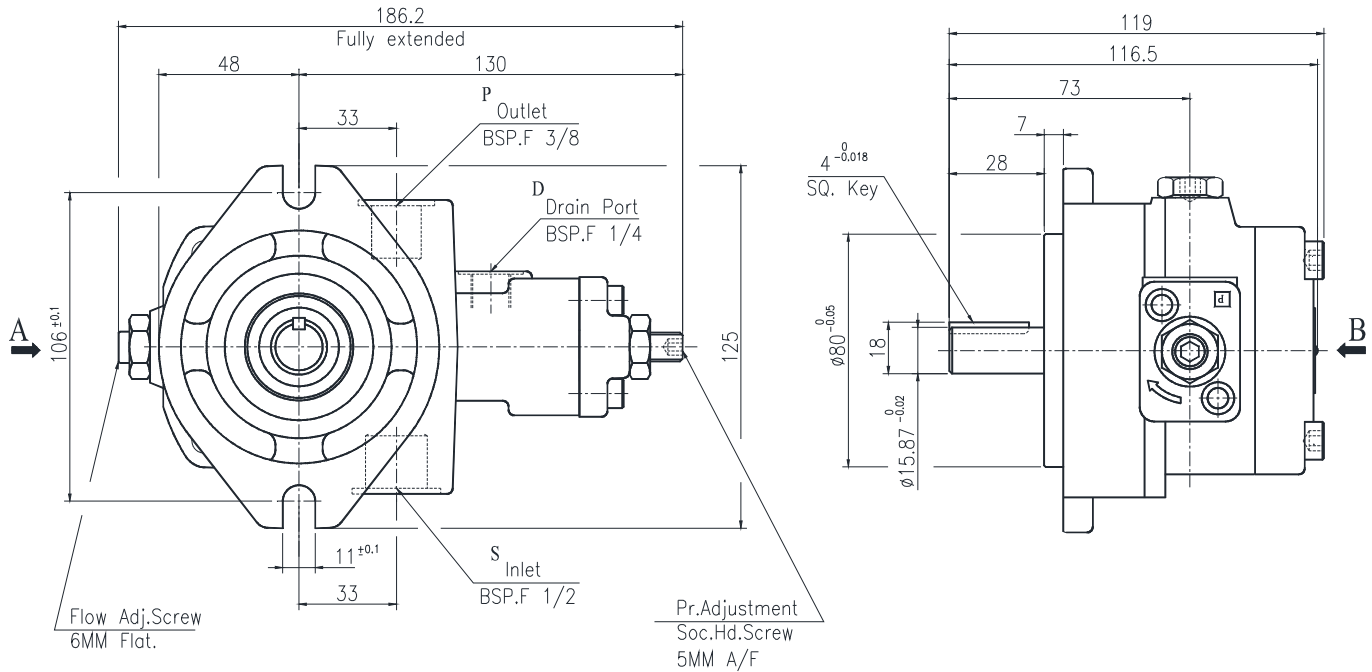
F-	PVV	- 10	- F	- C	- R	- 10	80
Applicable Hydraulic Fluids	Series Number	Nominal Flow @ 1500 r/min. (L/min.)	Type of Mounting	Max. Operating Pressure (Kgf/cm <sup>2</sup> )	Direction of Rotation (As viewed from shaft end)	Design Number*	Design Standard
F: For Phosphate Easter Type Fluids (Omit if not required)	PVV	10: 12	F: Flange Type (2 Bolt Mounting)	A: 20 * <sup>1</sup> B: 35 * <sup>1</sup> C: 70	R: Clockwise (Normal)	10	80

\* Design numbers subject to change, but installation dimensions remain as shown below.

\*<sup>1</sup> Consult YIL for availability.

**□ MOUNTING DETAILS:**

**F – Type Mounting (2 Bolts)**



**• Spare Parts List:**

**▪ List of Seals**

Sl. No.	Name of Part	Part No.	Model Numbers	
			Qty	
			PVV-10-F-※-R-1080	F-PVV-10-F-※-R-1080
1	O-Ring	AE-0760-A2	1	1
2		SO-NB-A032	1	--
3		SO-NB-A023	1	--
4		SO-NB-A146	1	--
5		SO-NA-P20	1	--
6		SO-NA-P10	2	--
7		SO-FB-A032	--	1
8		SO-FB-A023	--	1
9		SO-FB-A146	--	1
10		SO-FA-P20	--	1
11		SO-FA-P10	--	2

Note: when ordering the seals, please specify the seal kit number from the table at below.

**▪ List of Seal Kits**

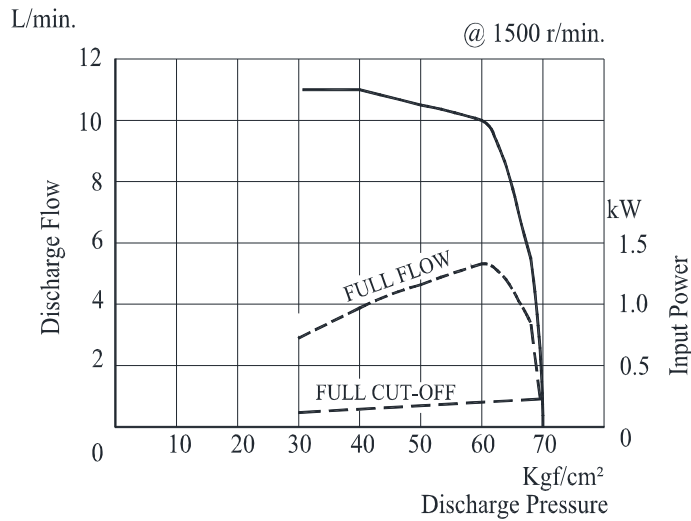
Sl. No.	Model No.	Seal Kit No.
1	PVV-10-F-※-R-1080	KS-PVV-10-1080
2	F-PVV-10-F-※-R-1080	F-KS-PVV-10-1080

□ **PERFORMANCE CHARACTERISTICS:**

At 1500 r/min., viscosity = 41cSt & Temp. = 50°C

- Discharge Pressure – Discharge flow – Input power

**PVV-10-F-C-R-1080**



- **Drain**

